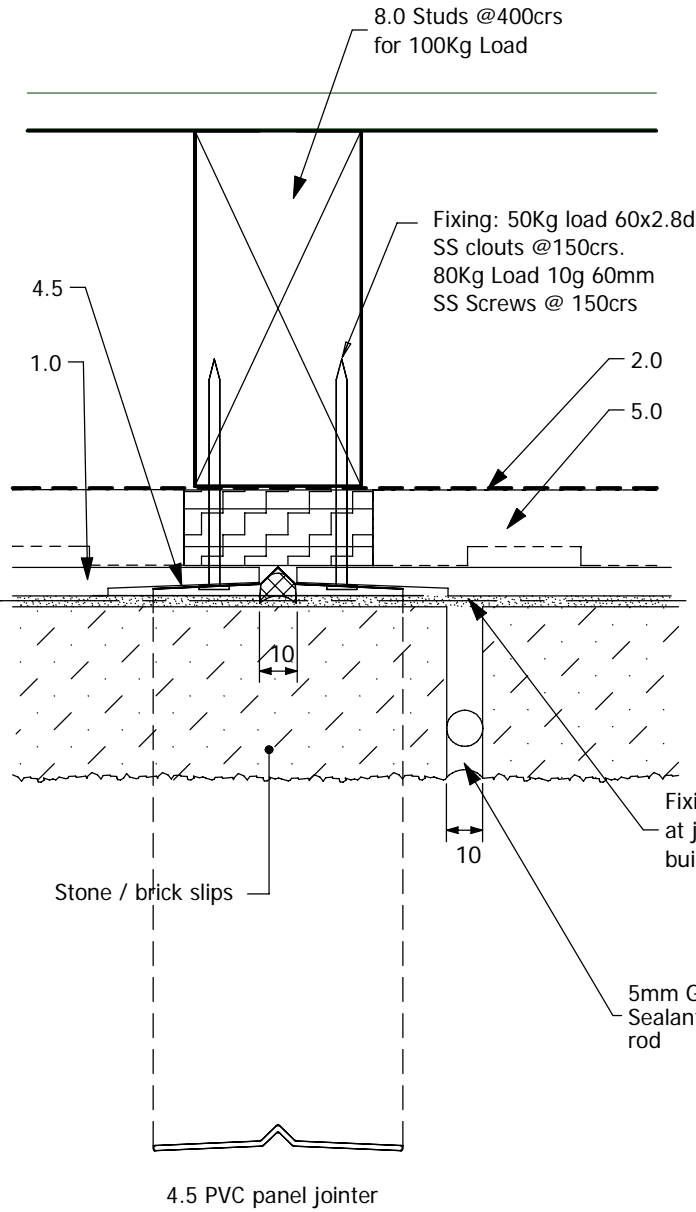


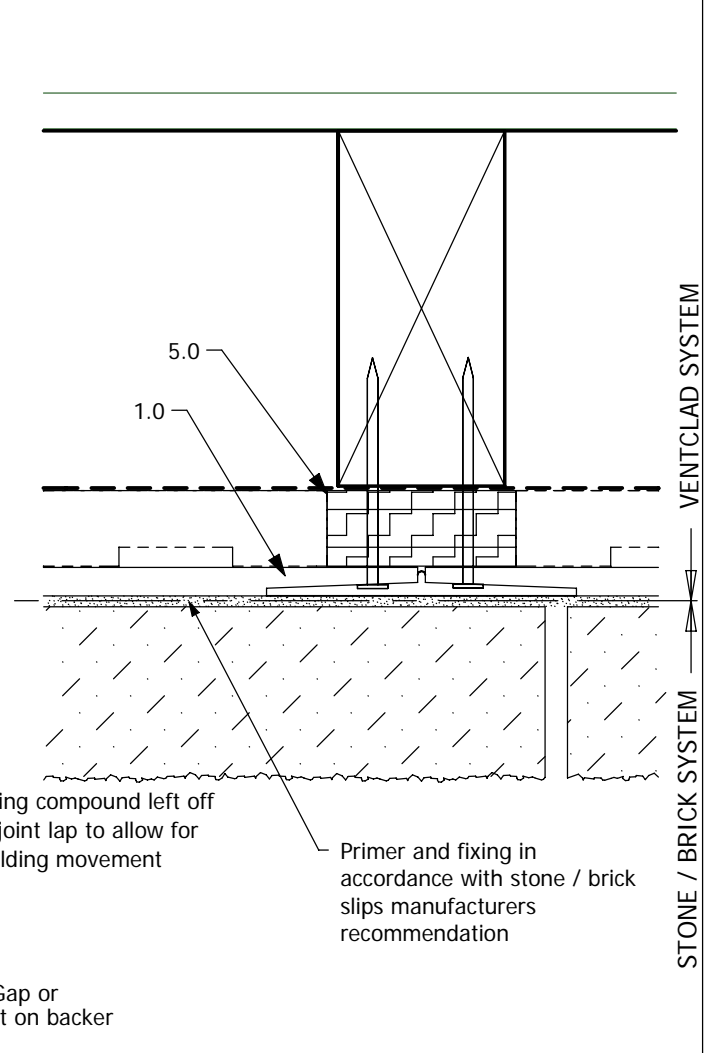
Key to tags

- 1.0> Eterpan 7.5mm or 9.0mm
- 2.0> Building wrap
- 4.5> PVC panel jointer
- 5.0> VentClad batten
- 7.2> Sealant
- 8.0> Timber framing

Control joint at stud



Panel joint at stud



Horizontal section through exterior wall

VentClad

Ventilated Cladding System - Stone / Brick Slips - 50, 80 & 100Kg Loads

Scale:

1:2

Date:

1/06/05



freephone 0800 2255 727

North Island: 31 Arrenway Drive, Albany. PO Box 302202 NH1330
tel: 09 477 0960, fax: 09 477 0961

South Island: 42C Maces Rd, PO Box 38021 Christchurch 9
tel: 03 384 4023, fax 03 384 4026

DWG. No.

VC.6.5.11